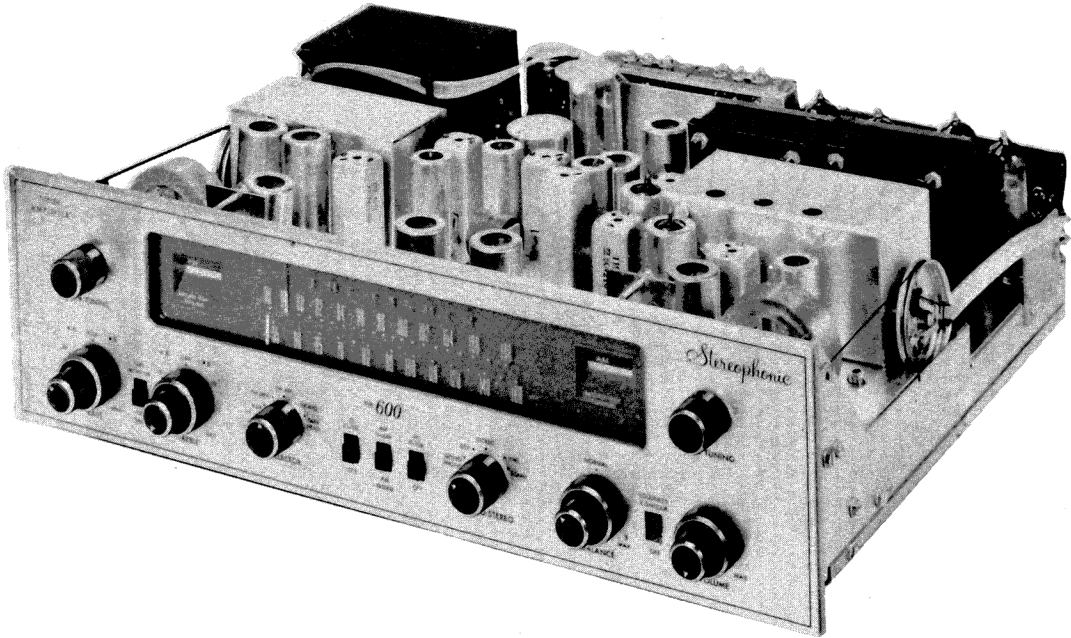


PHOTOFACT® Folder



FISHER MODEL TA-600

FISHER MODEL TA-600

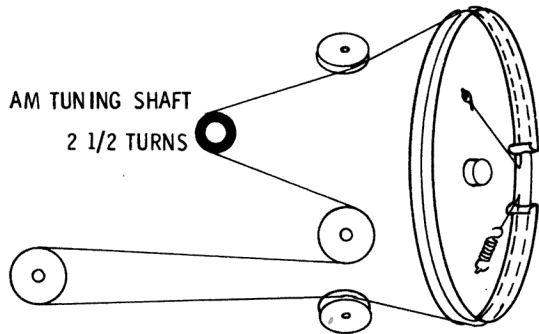
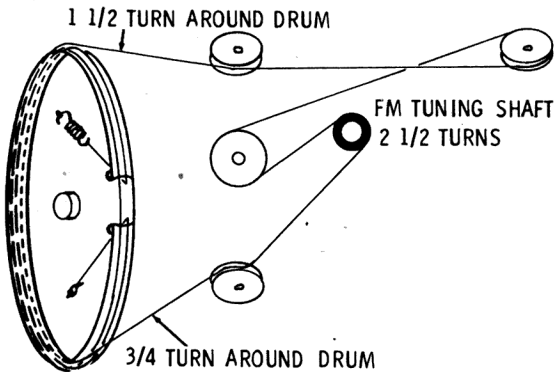


FISHER MODEL TA-600

TRADE NAME	Fisher Model TA-600		
MANUFACTURER	Fisher Radio Corp., 21-21 44th Drive, Long Island City 1, N. Y.		
TYPE SET	AC Operated 22 Tube FM-AM Receiver With Stereo Output		
POWER SUPPLY	105-120 Volts AC, 50-60 Cycles	RATING	165 Watts, 1.4 Amp. @117 Volts AC
TUNING RANGE—BROADCAST	550-1600KC	FREQ. MOD.	88-108MC

DIAL CORD STRINGING

BOTH TUNING GANGS FULLY CLOSED



HOWARD W. SAMS & CO., INC. Indianapolis 6, Indiana

The listing of any available replacement part herein does not constitute in any case a recommendation, warranty or guaranty by Howard W. Sams & Co., Inc., as to the quality and suitability of such replacement part. The numbers of these parts have been compiled from information furnished to Howard W. Sams & Co., Inc., by the manufacturers of JK620

the particular type of replacement part listed. Reproduction or use, without express permission, of editorial or pictorial content, in any manner, is prohibited. No patent liability is assumed with respect to the use of the information contained herein. © 1960 Howard W. Sams & Co., Inc., Indianapolis 6, Indiana. Printed in U.S. of America

ALIGNMENT INSTRUCTIONS

ALIGNMENT INSTRUCTIONS—READ CAREFULLY BEFORE ATTEMPTING ALIGNMENT

Volume control should be at maximum position. Output of signal generator should be no higher than necessary to obtain an output reading.

Suggested alignment tools:

A1 thru A4, A6, A10 thru A14.....	GENERAL CEMENT #5097, 8727 WALSCO #2515
A5, A15, thru A19.....	GENERAL CEMENT #8606, 8606L, 8282, 9295 WALSCO #2526, 2543, 2544, 2545
A7, A8, A9.....	GENERAL CEMENT #5004, 5008, 5009 WALSCO #2520
A20, A21, A22.....	GENERAL CEMENT #8271, 8273, 8275, 8276, 8721, 8722, 9150, 9298, 5003 WALSCO #2516, 2519

AM ALIGNMENT — SELECTOR IN AM POSITION

AM Bandwidth set to SHARP.

Short point \triangle to chassis. Remove short when AM alignment is completed.

1.	SIGNAL GENERATOR COUPLING	SIGNAL GENERATOR FREQUENCY	RADIO DIAL SETTING	CONNECT VTVM	ADJUST	REMARKS
	High side thru .01mfd to pin 2 (grid) of AM Mixer. Low side to chassis.	455KC (400% Mod.)	(AM) Point of non-interference	AC probe to channel "A" RCRDR output. Low side to chassis.	A1, A2, A3, A4	Adjust for maximum deflection.
2.	"	455KC (30KC Swp)	"	Use Scope. Vert. amp. to channel "A" RCRDR output. Low side to chassis.		Switch bandwidth to broad. Retouch A3 SLIGHTLY for symmetrical response. Switch bandwidth back to sharp.
3.	High side thru 220mmf to AM antenna terminal #3. (Disconnect link between terminals 1 and 2.)	600KC (400% Mod.)	600KC	AC probe to channel "A" RCRDR output. Common to chassis.	A5, A6	Adjust for maximum deflection.
4.	"	1400KC	1400KC	"	A7, A8, A9	Adjust for maximum deflection. Repeat Steps 3 and 4.

FM IF ALIGNMENT USING AM SIGNAL GENERATOR AND VTVM—SELECTOR IN FM POSITION

Connect two matched 100K (+1%) resistors in series from point \triangle to chassis. The junction of these two resistors is alignment point \diamond as shown on the schematic.

5.	SIGNAL GENERATOR COUPLING	SIGNAL GENERATOR FREQUENCY	RADIO DIAL SETTING	CONNECT VTVM	ADJUST	REMARKS
	High side to ungrounded tube shield floating over FM Mixer-Osc. Low side to chassis.	10.7MC (Unmod.)	(FM) Point of non-interference.	DC probe to point \triangle . Common to chassis.	A10, A11, A12, A13, A14, A15	Adjust for maximum deflection.
6.	"	"	"	DC probe to point \diamond . Common to point \triangle .	A16	Adjust for zero reading. A positive and negative reading will be obtained on either side of the correct setting.

FM IF ALIGNMENT USING FM SIGNAL GENERATOR AND OSCILLOSCOPE—SELECTOR IN FM POSITION

Use frequency modulated signal with 60% modulation and 450KC sweep. Use 120% sawtooth voltage in scope for horizontal deflection.

5.	SIGNAL GENERATOR COUPLING	SIGNAL GENERATOR FREQUENCY	RADIO DIAL SETTING	CONNECT SCOPE	ADJUST	REMARKS
	High side to ungrounded tube shield floating over FM Mixer-Osc. Low side to chassis.	10.7 MC (450KC Swp)	(FM) Point on non-interference.	Vert. Amp. to point \triangle . Low side to chassis.	A10, A11, A12, A13, A14, A15	Disconnect Stabilizing capacitor C4. Adjust for maximum gain and symmetry of response similar to Fig. 1 Reconnect C4.
6.	"	"	"	Vert. amp. to point \diamond . Low side to chassis.	A16	Adjust to place marker at the center of crossover lines similar to Fig. 2. SLIGHTLY retouch A15 for maximum amplitude and straightness of crossover lines.

FM RF ALIGNMENT — SELECTOR IN FM POSITION

7.	SIGNAL GENERATOR COUPLING	SIGNAL GENERATOR FREQUENCY	RADIO DIAL SETTING	CONNECT VTVM	ADJUST	REMARKS
	Across FM antenna terminals 5 & 6 with 120 Ω in each lead.	90MC	(FM) 90MC	DC probe to point \triangle . Common to chassis.	A17, A18, A19	Adjust for maximum deflection.
8.	"	106MC	106MC	"	A20, A21, A22,	Adjust for maximum deflection. Repeat Steps 7 and 8.

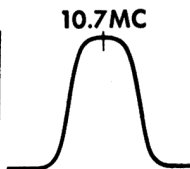


FIG. 1

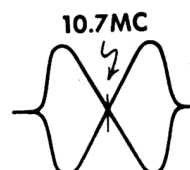
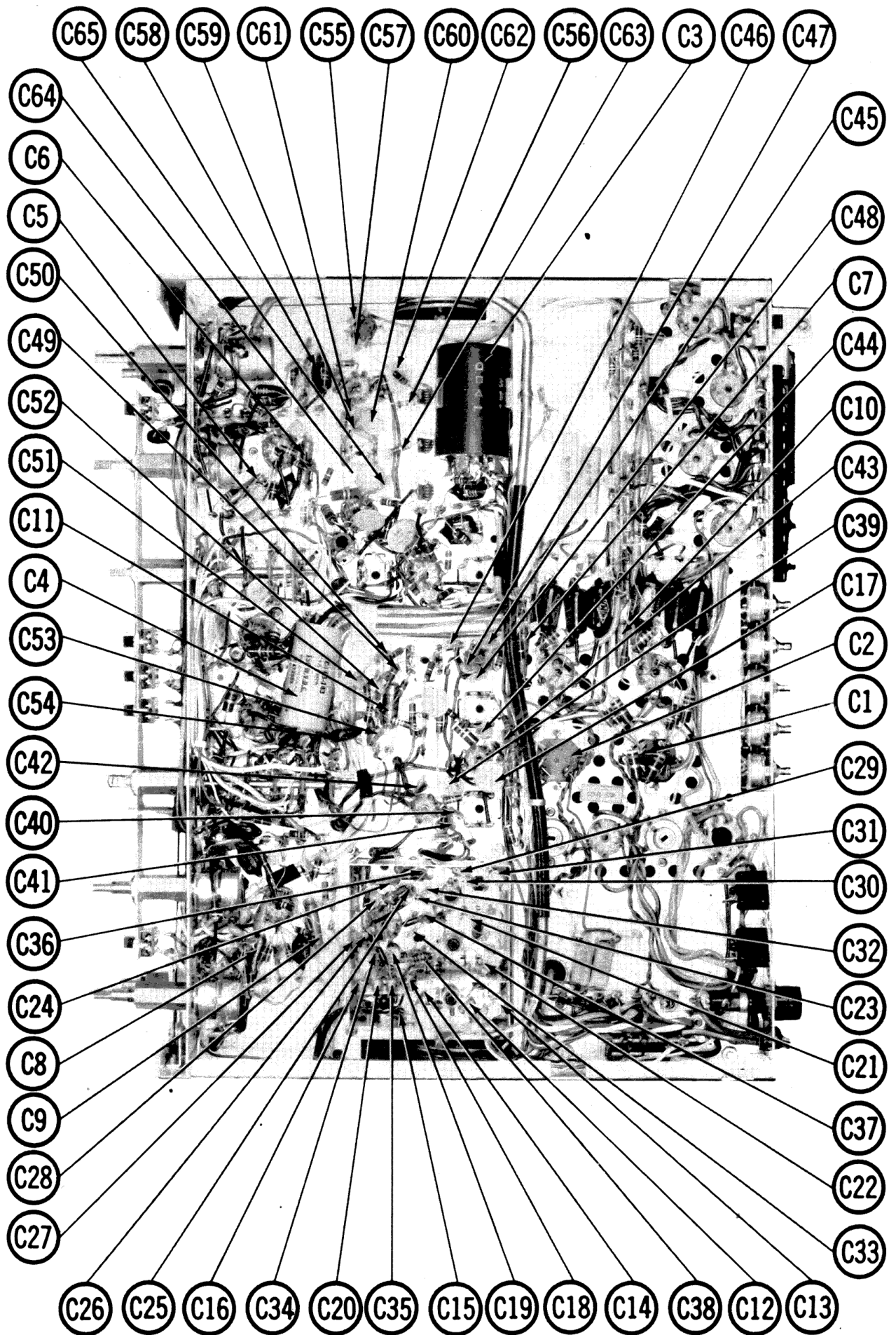
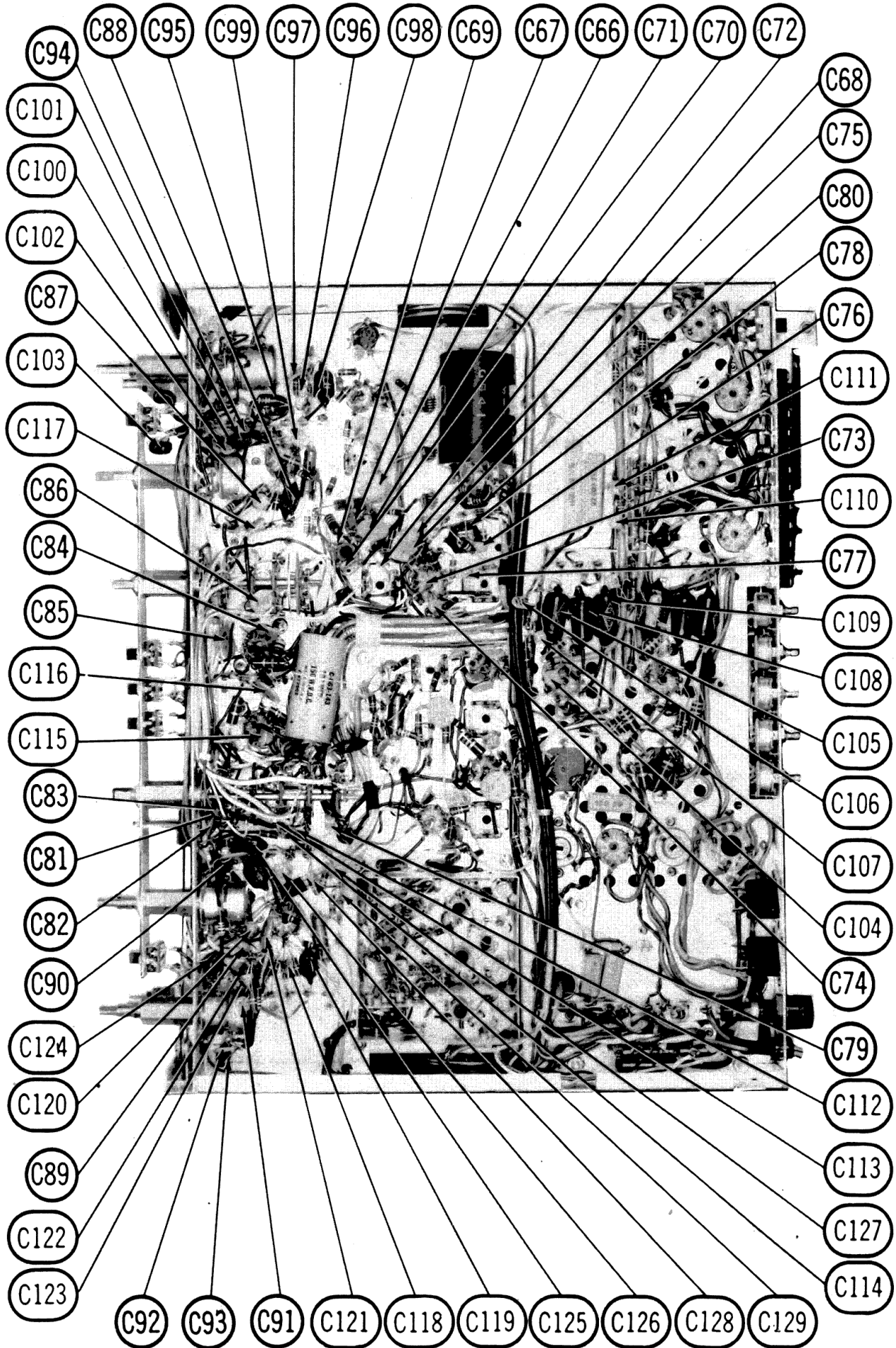


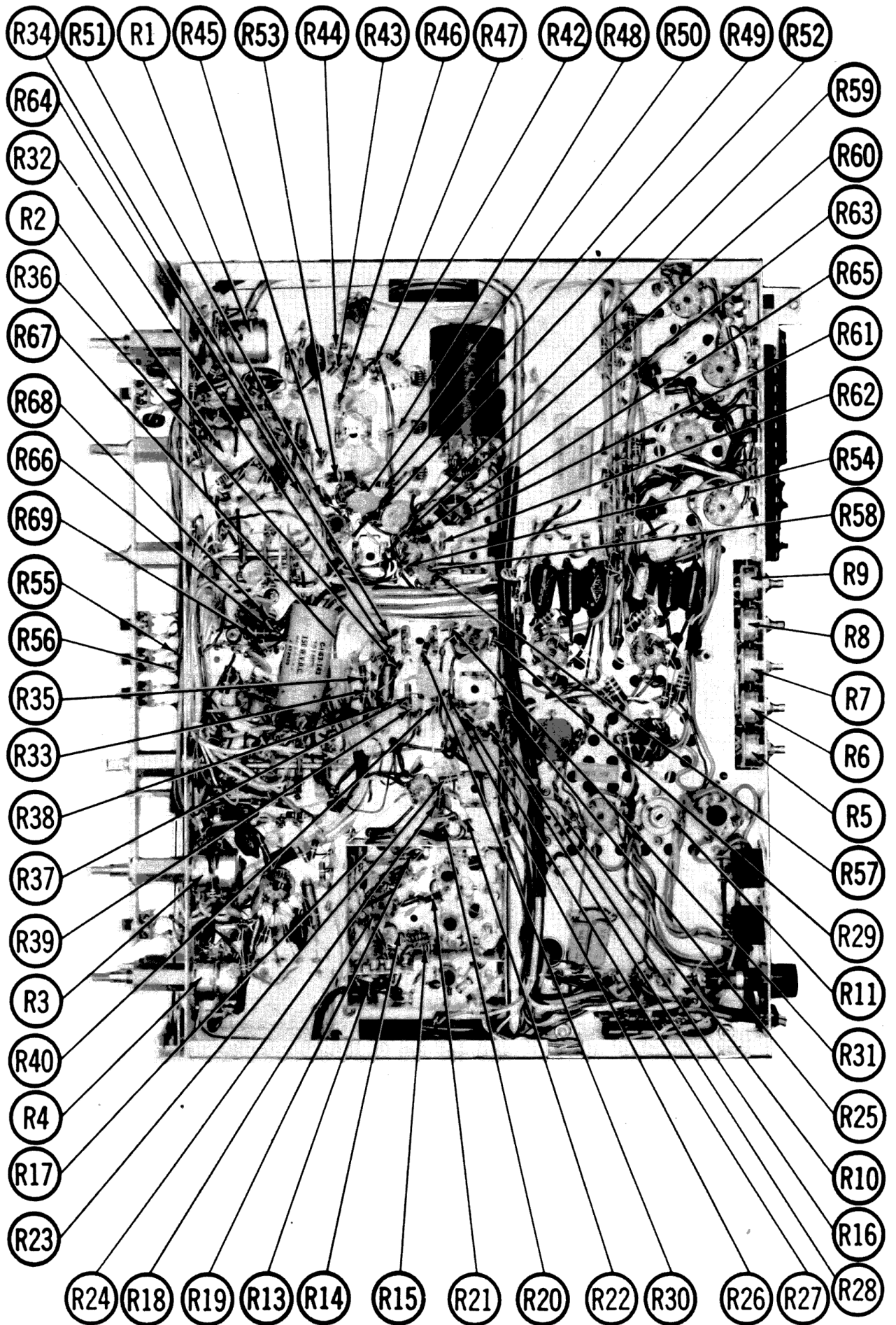
FIG. 2



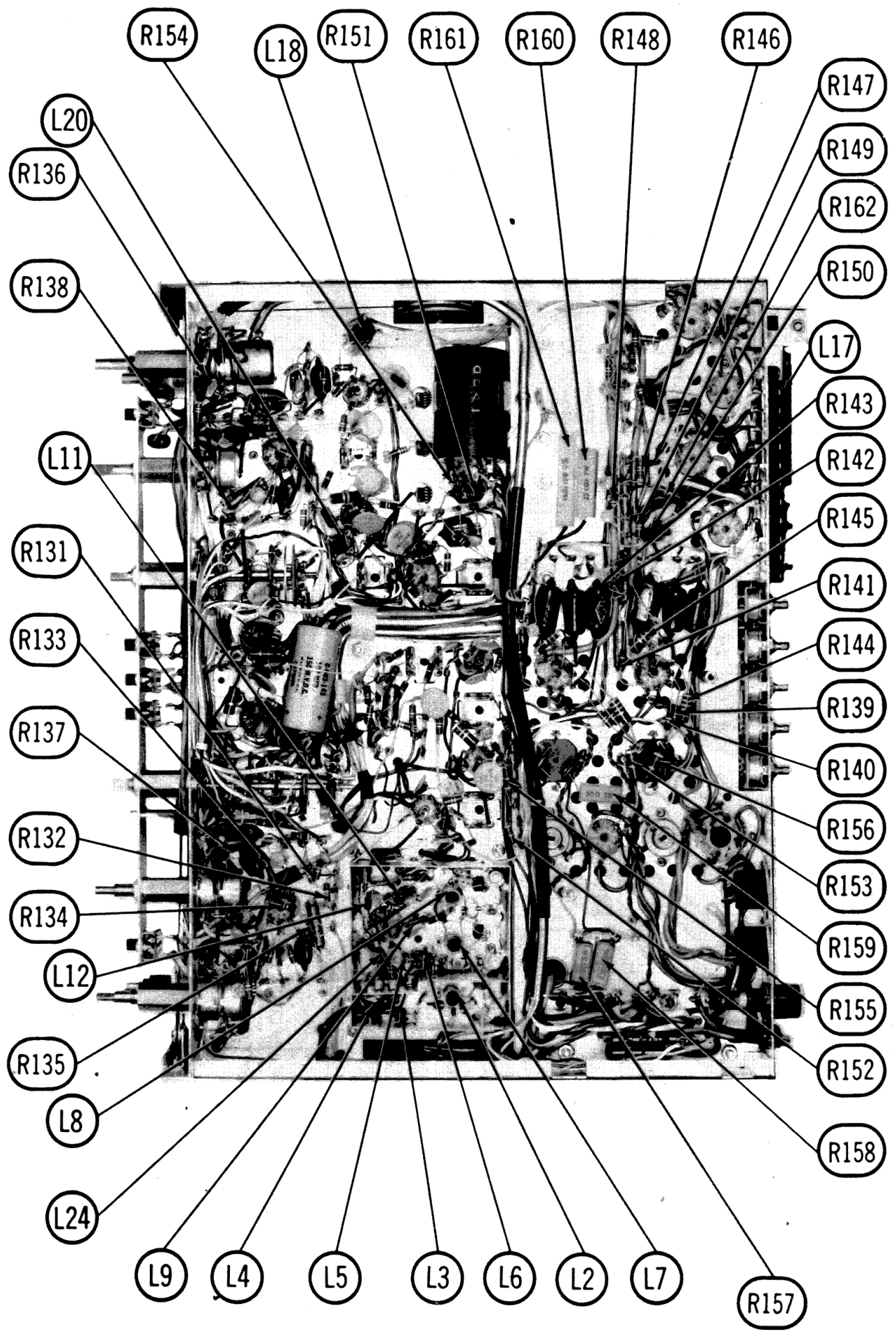
CHASSIS BOTTOM VIEW - CAPACITOR IDENT. (C1-C65)



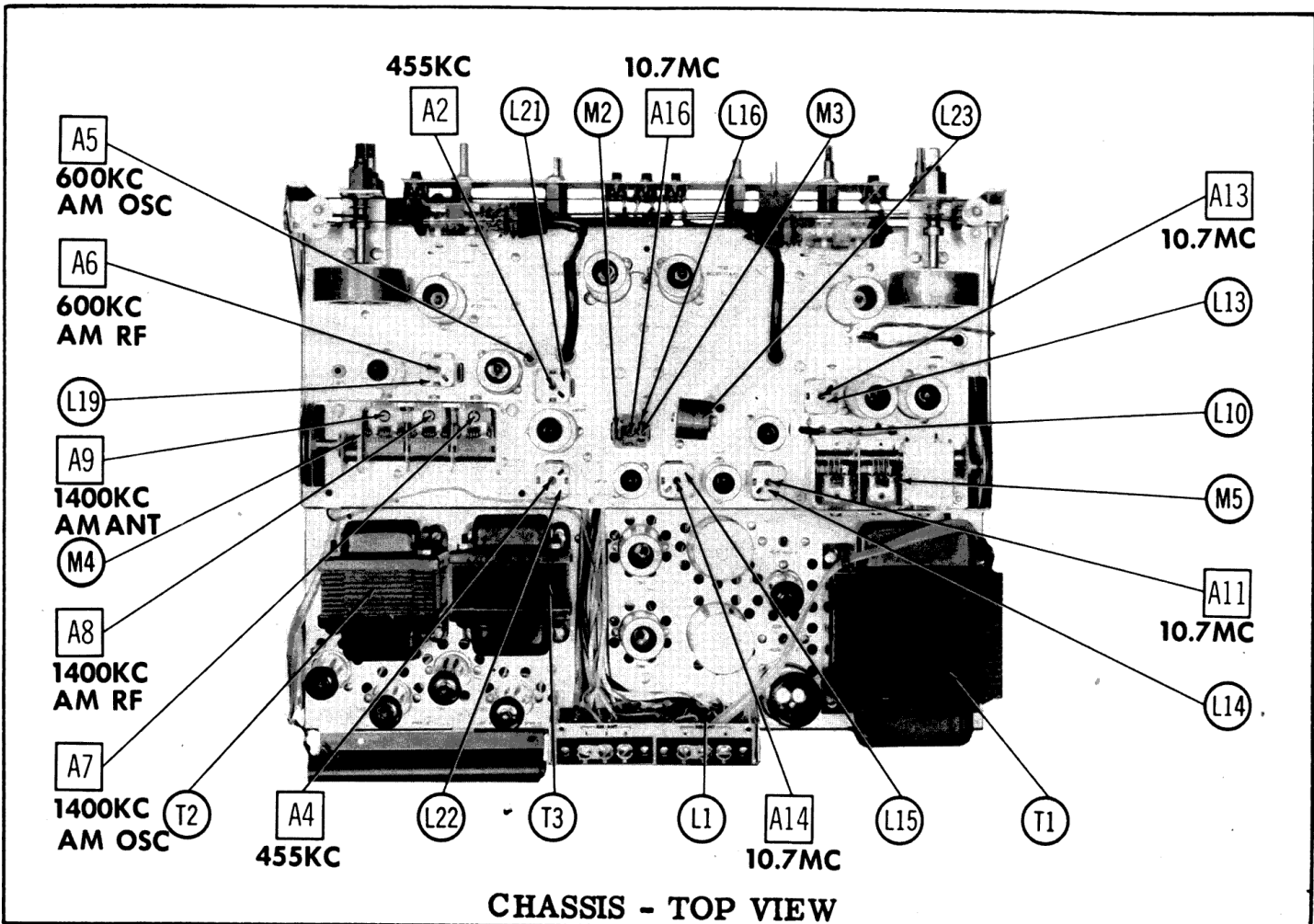
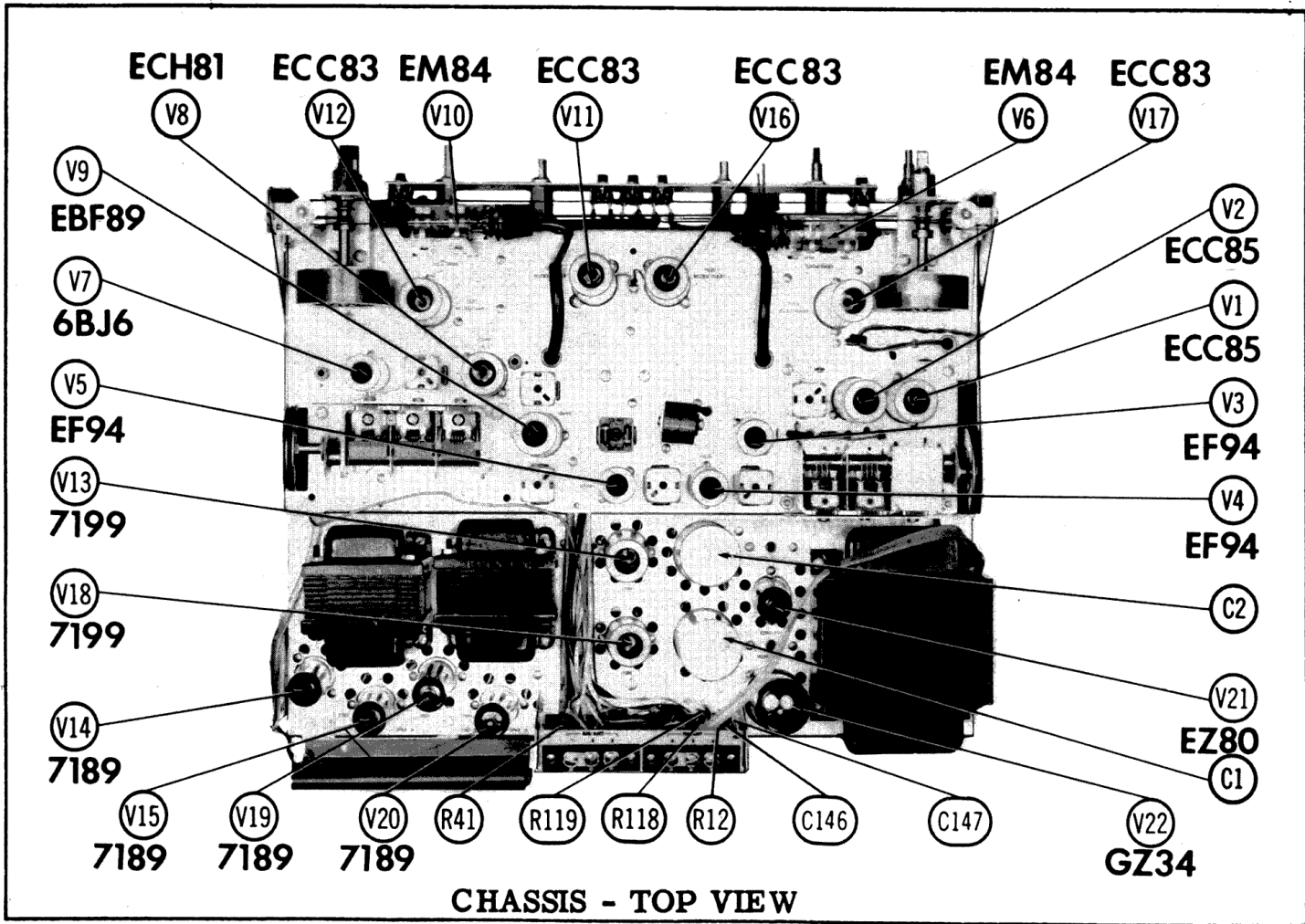
CHASSIS BOTTOM VIEW - CAPACITOR IDENT. (C66-C129)

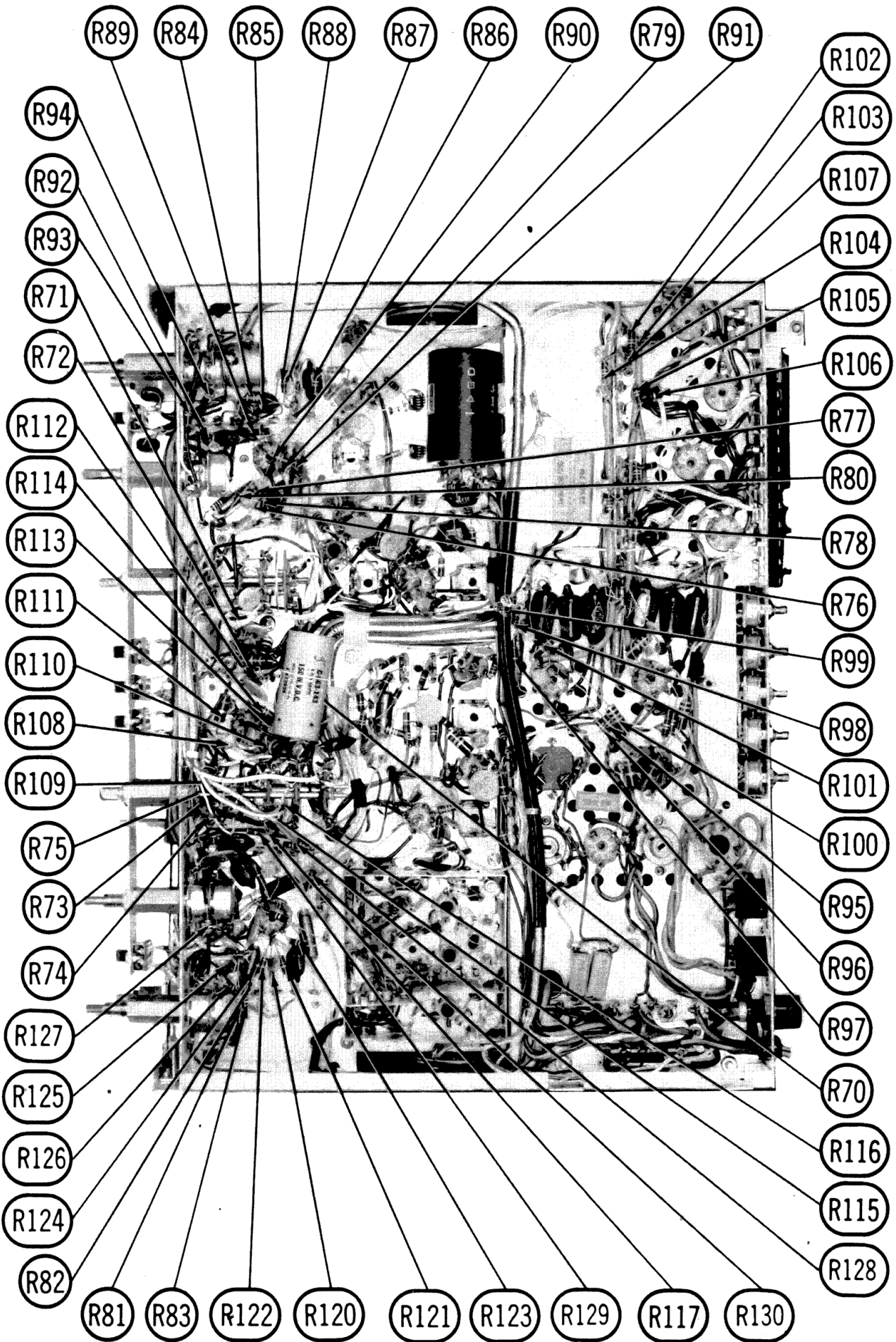


CHASSIS BOTTOM VIEW - RESISTOR IDENT. (R1-R68)

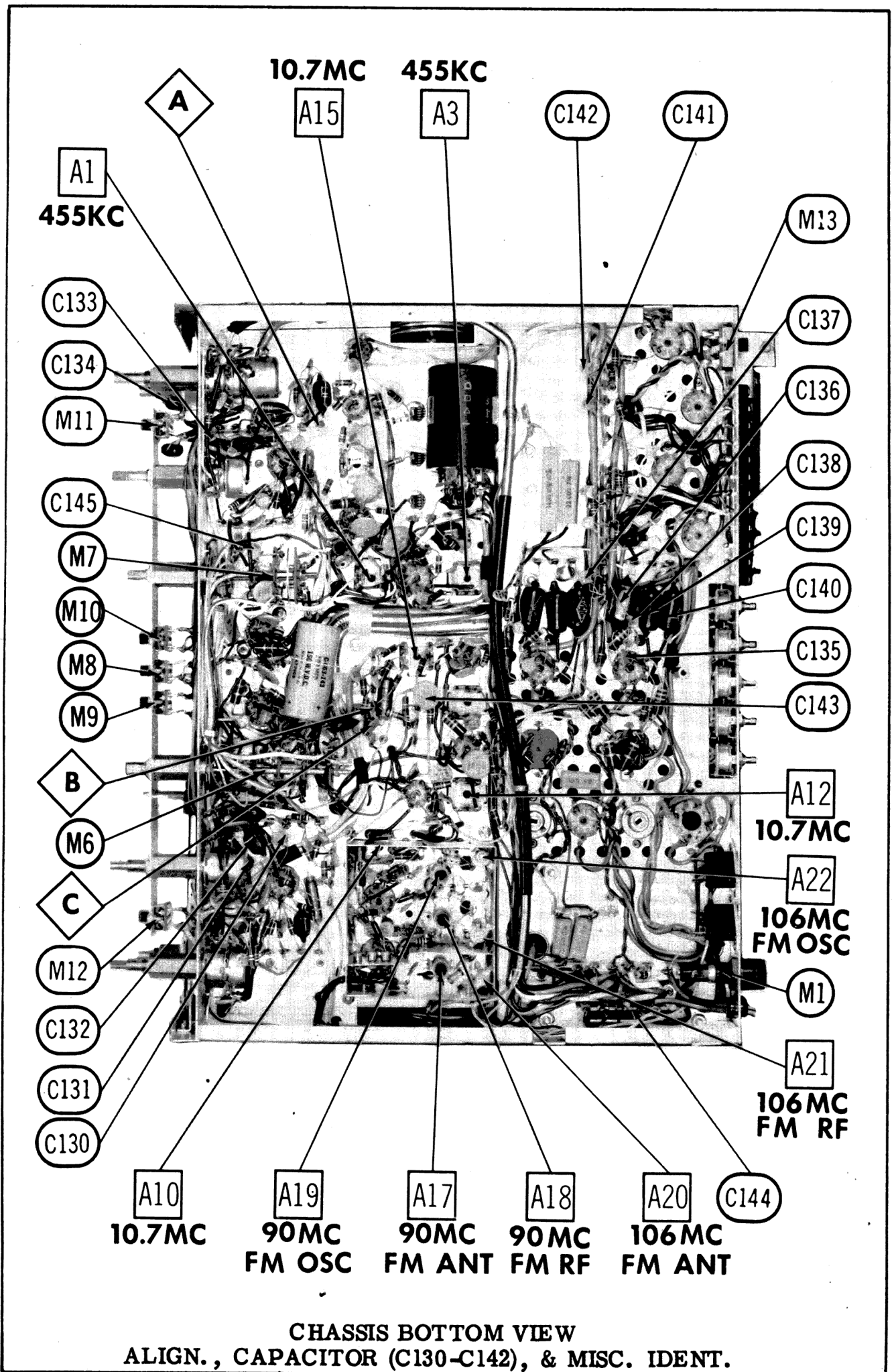


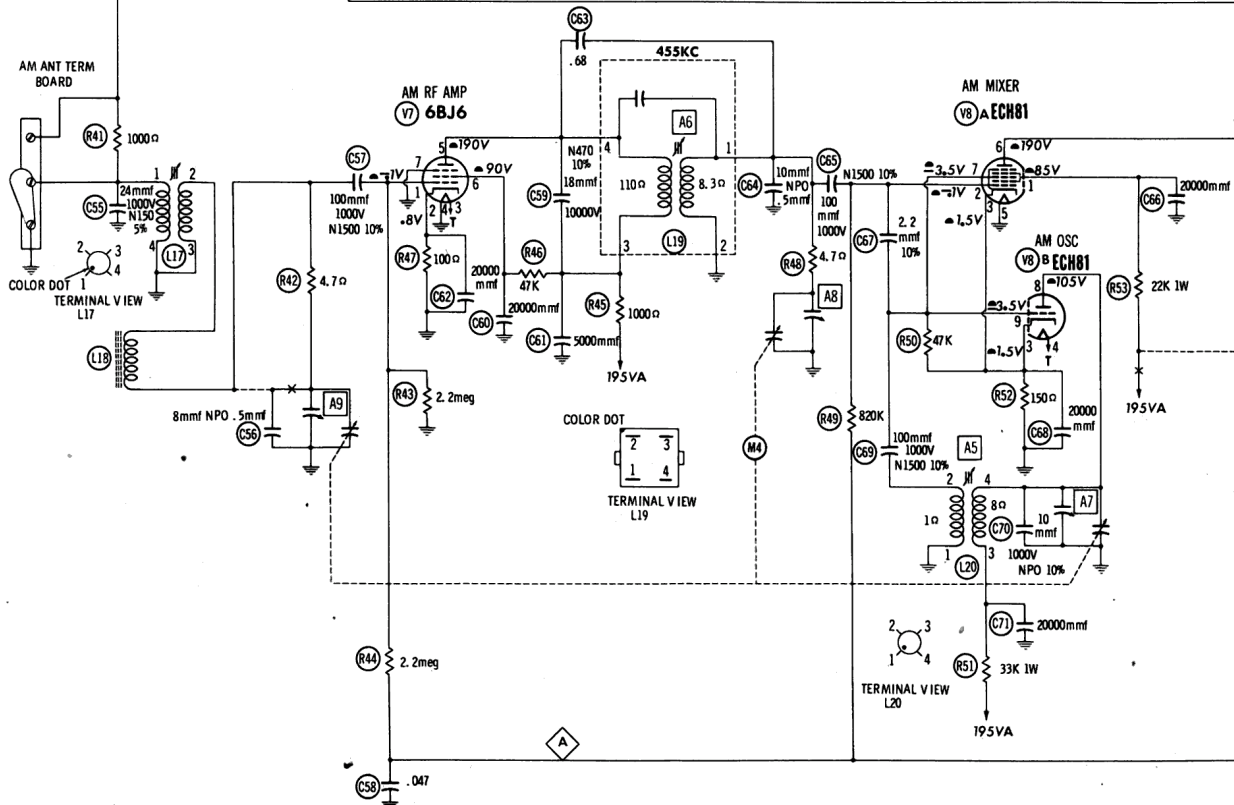
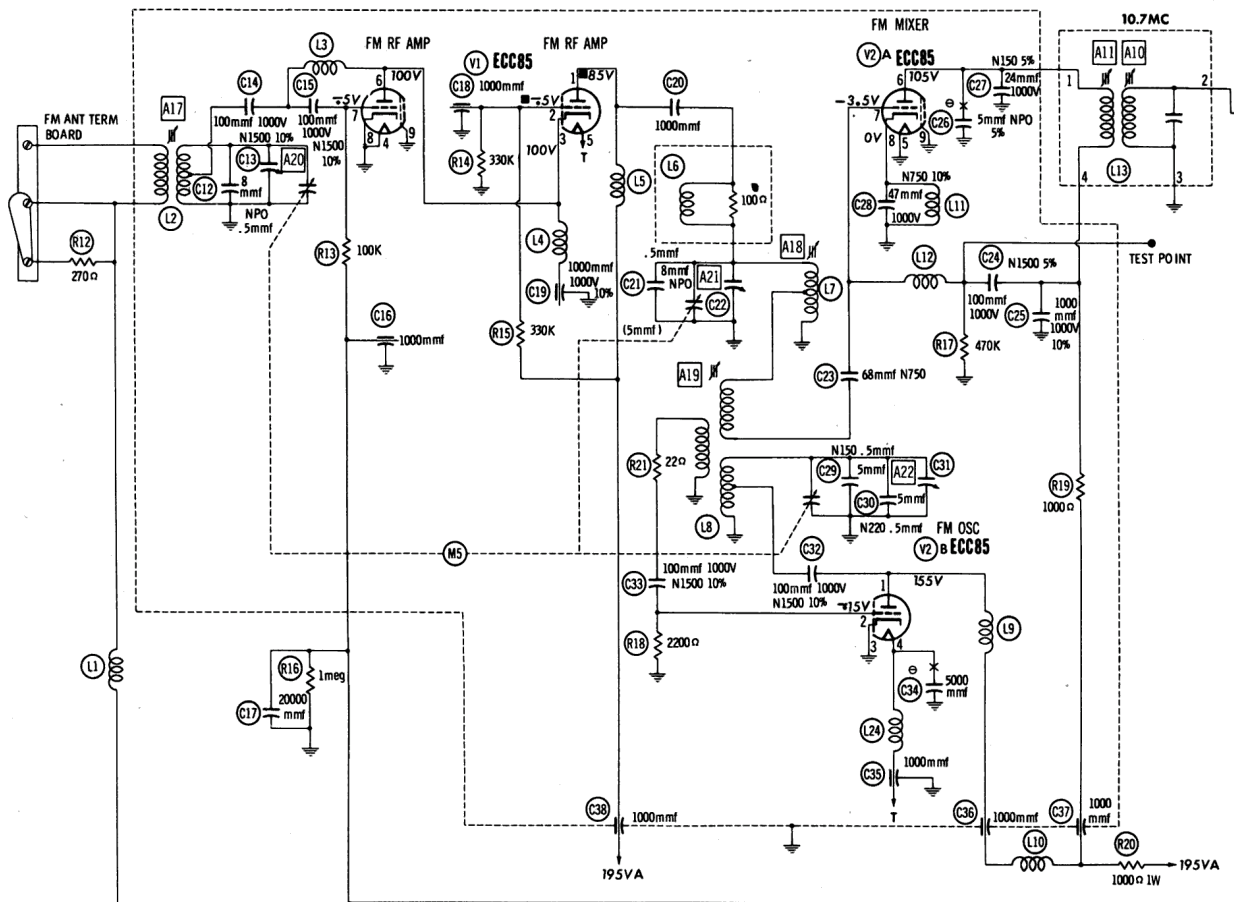
CHASSIS BOTTOM VIEW - INDUCTOR & RESISTOR (R131-R162) IDENT.



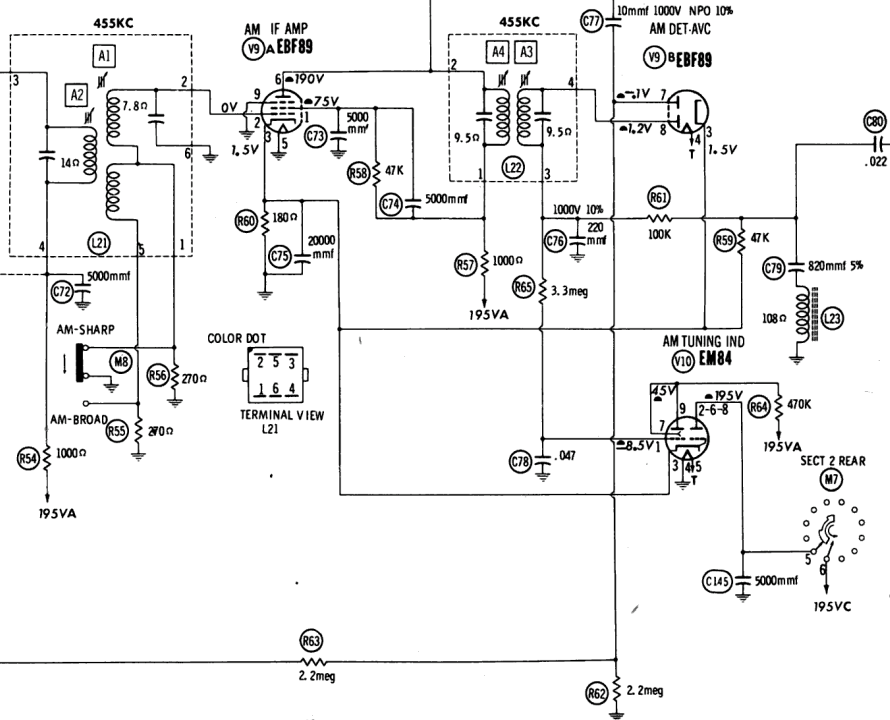
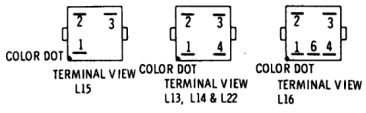
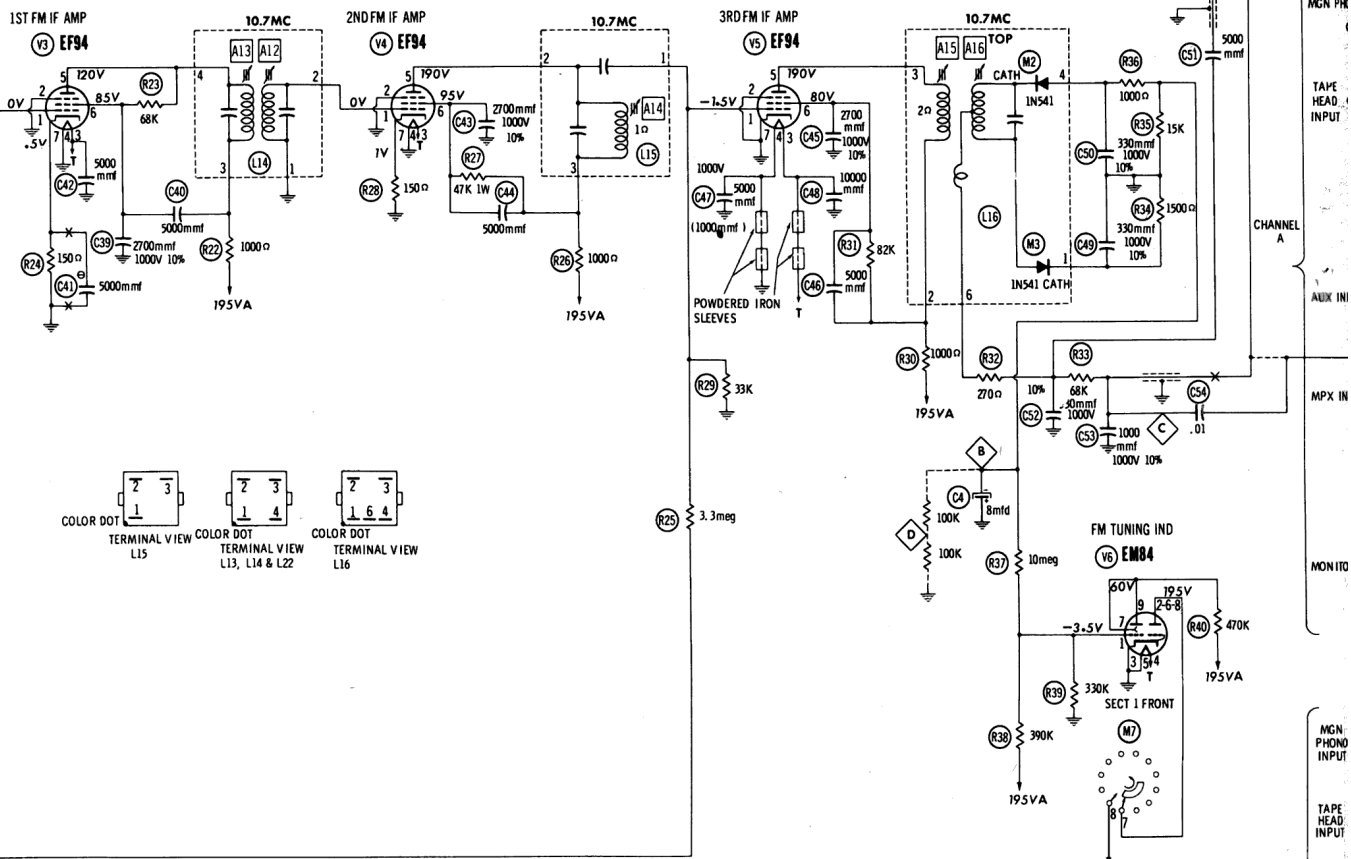


CHASSIS BOTTOM VIEW - RESISTOR IDENT. (R 70-R130)



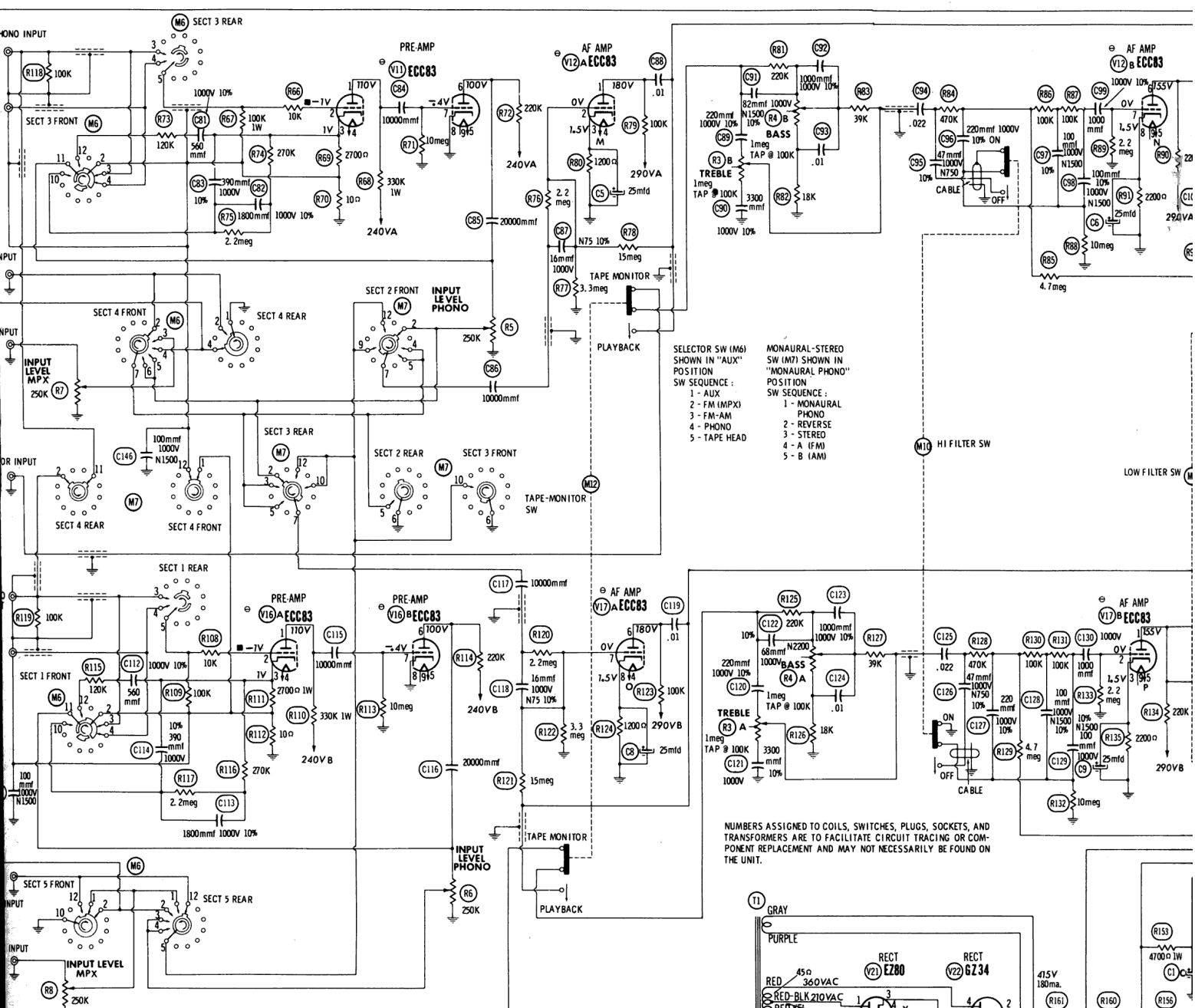


A PHOTOFAX STANDARD NOTATION SCHEMATIC
 © Howard W. Sams & Co., Inc. 1960



1. DC voltage measurements taken with vacuum tube voltmeter; AC voltages measured at 1000 ohms per volt.
2. Socket connections are shown as bottom views.
3. Measured values are from socket pin to common negative.
4. Line voltage maintained at 117 volts for voltage readings.
5. Nominal tolerance on component values makes possible a variation of $\pm 15\%$ in voltage and resistance readings.
6. Volume control at maximum, no signal applied for voltage measurements.

SEE PARTS LIST FOR ALTERNATE VALUE OR APPLICATION
DC COIL RESISTANCE VALUES UNDER ONE OHM NOT SHOWN ON SCHEMATIC DIAGRAM

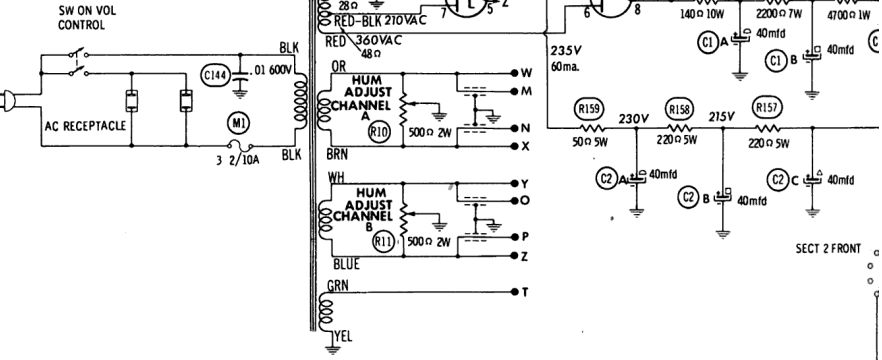


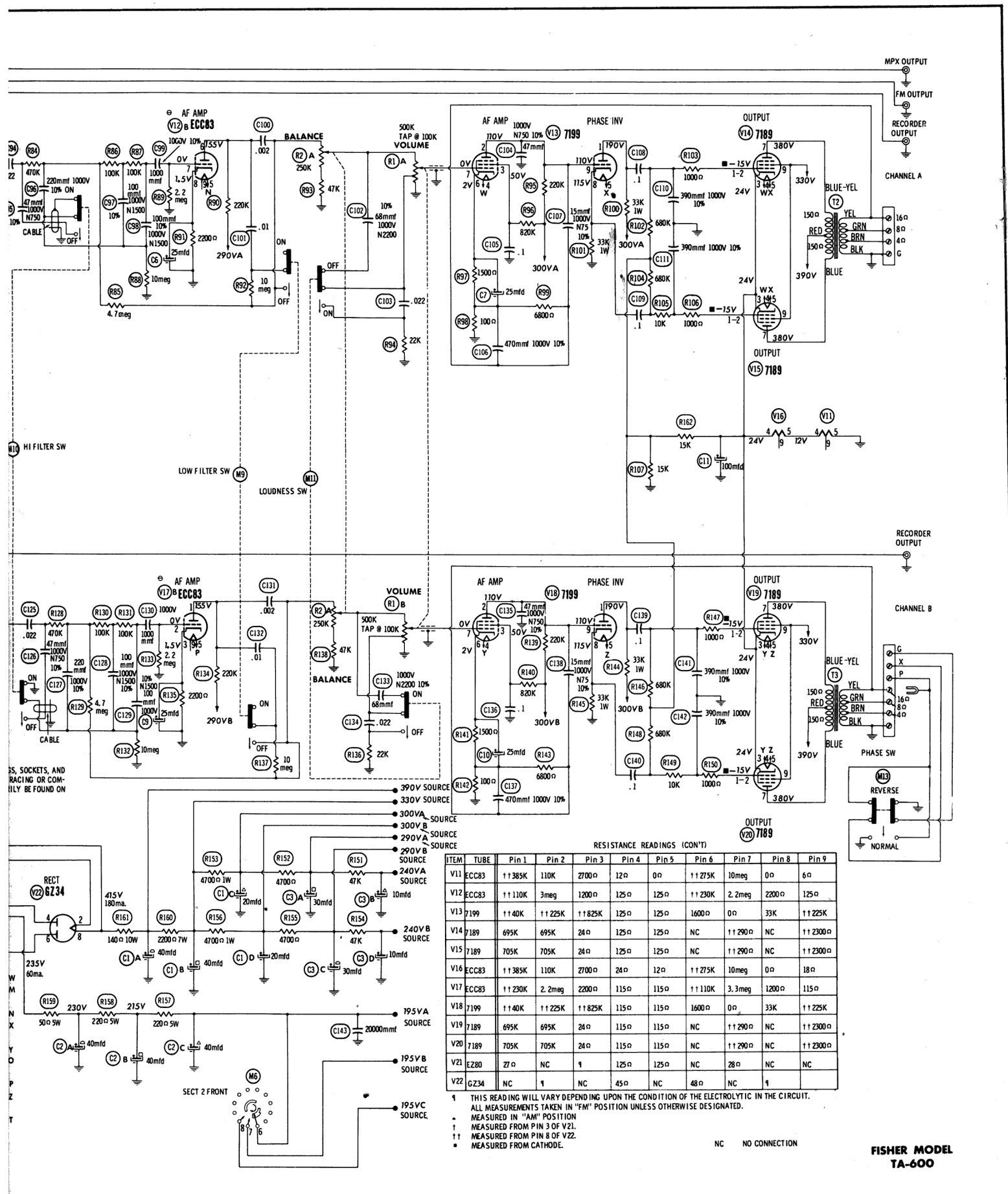
SELECTOR SW (M6) SHOWN IN "AUX" POSITION
 SW SEQUENCE:
 1 - AUX
 2 - FM (MPX)
 3 - FM-AM
 4 - PHONO
 5 - TAPE HEAD

MONAURAL-STEREO SW (M7) SHOWN IN "MONAURAL PHONO" POSITION
 SW SEQUENCE:
 1 - MONAURAL PHONO
 2 - REVERSE
 3 - STEREO
 4 - A (IFM)
 5 - B (IAM)

NUMBERS ASSIGNED TO COILS, SWITCHES, PLUGS, SOCKETS, AND TRANSFORMERS ARE TO FACILITATE CIRCUIT TRACING OR COMPONENT REPLACEMENT AND MAY NOT NECESSARILY BE FOUND ON THE UNIT.

ITEM	TUBE	Pin 1	Pin 2	Pin 3	Pin 4	Pin 5	Pin 6	Pin 7	Pin 8	Pin 9
V1	ECC85	+1490 Ω	160K	INF	0 Ω	.1 Ω	INF	850K	0 Ω	0 Ω
V2	ECC85	+1500 Ω	2200 Ω	0 Ω	.1 Ω	0 Ω	12500 Ω	470K	.1 Ω	0 Ω
V3	EF94	.7 Ω	0 Ω	.1 Ω	0 Ω	+1500 Ω	170K	150 Ω		
V4	EF94	.7 Ω	0 Ω	.1 Ω	0 Ω	+1500 Ω	148K	150 Ω		
V5	EF94	33K	0 Ω	.1 Ω	0 Ω	+1500 Ω	183K	0 Ω		
V6	EM84	200K	+1490 Ω	0 Ω	.1 Ω	0 Ω	+1490 Ω	+1470K	+1490 Ω	+1470K
V7	6BJ6	+1.6meg	100 Ω	.1 Ω	0 Ω	+1500 Ω	+148K	0 Ω		
V8	EC81	+1.23K	3.3meg	150 Ω	.1 Ω	0 Ω	+1500 Ω	47K	33K	47K
V9	EBF89	+148K	7.8 Ω	+180 Ω	.1 Ω	0 Ω	+1500 Ω	1.7meg	47K	0 Ω
V10	EM84	+3.4meg	+1490 Ω	+180 Ω	0 Ω	.1 Ω	+1490 Ω	+1470K	+1490 Ω	+1470K





RESISTANCE READINGS (CON'T)

ITEM	TUBE	Pin 1	Pin 2	Pin 3	Pin 4	Pin 5	Pin 6	Pin 7	Pin 8	Pin 9
V11	ECC83	11385K	110K	2700Ω	12Ω	0Ω	11275K	10meg	0Ω	6Ω
V12	ECC83	11110K	3meg	1200Ω	125Ω	125Ω	11230K	2.2meg	2200Ω	125Ω
V13	7199	1140K	11225K	11825K	125Ω	125Ω	1600Ω	0Ω	33K	11225K
V14	7189	695K	695K	24Ω	125Ω	125Ω	NC	11290Ω	NC	112300Ω
V15	7189	705K	705K	24Ω	125Ω	125Ω	NC	11290Ω	NC	112300Ω
V16	ECC83	11385K	110K	2700Ω	24Ω	12Ω	11275K	10meg	0Ω	18Ω
V17	ECC83	11230K	2.2meg	2200Ω	115Ω	115Ω	11110K	3.3meg	1200Ω	115Ω
V18	7199	1140K	11225K	11825K	115Ω	115Ω	1600Ω	0Ω	33K	11225K
V19	7189	695K	695K	24Ω	115Ω	115Ω	NC	11290Ω	NC	112300Ω
V20	7189	705K	705K	24Ω	115Ω	115Ω	NC	11290Ω	NC	112300Ω
V21	E880	27Ω	NC	1	125Ω	125Ω	NC	28Ω	NC	NC
V22	GZ34	NC	1	NC	45Ω	NC	48Ω	NC	1	

1 THIS READING WILL VARY DEPENDING UPON THE CONDITION OF THE ELECTROLYTIC IN THE CIRCUIT.
 ALL MEASUREMENTS TAKEN IN "FM" POSITION UNLESS OTHERWISE DESIGNATED.
 - MEASURED IN "AM" POSITION
 † MEASURED FROM PIN 3 OF V21.
 †† MEASURED FROM PIN 8 OF V22.
 * MEASURED FROM CATHODE.

NC NO CONNECTION

PARTS LIST AND DESCRIPTIONS

TUBES

GENERAL ELECTRIC			RAYTHEON	SYLVANIA	
ITEM No.	USE	TYPE	ITEM No.	USE	TYPE
V1	FM RF Amp.	ECC85 (6A08)	V13	Channel A AF Amp. - Phase Inverter	7199
V2	FM Mixer-Osc.	ECC85 (6A08)	V14	Channel A Output	7189
V3	1st FM IF Amp.	EF94 (6AU6)	V15	Channel A Output	7189
V4	2nd FM IF Amp.	EF94 (6AU6)	V16	Channel B Preamp.	ECC83 (12AX7, 7025)
V5	3rd FM IF Amp.	EM84 (6FG6)	V17	Channel B AF Amp.	ECC83 (12AX7, 7025)
V6	FM Tuning Indicator	6B6	V18	Channel B AF Amp. - Phase Inverter	7199
V7	AM RF Amp.	ECC85 (6A08)	V19	Channel B Output	7189
V8	AM Mixer-Osc.	EF89	V20	Channel B Output	7189
V9	AM IF Amp. - Det.-A.V.C.	EM84 (6FG6)	V21	Rectifier	EZ80 (6V4)
V10	AM Tuning Indicator	ECC83 (12AX7, 7025)	V22	Rectifier	GZ34 (5AR4)
V11	Channel A Preamp.	ECC83 (12AX7, 7025)			
V12	Channel A AF Amp.	ECC83 (12AX7, 7025)			

* Alternate

ELECTROLYTIC CAPACITORS

REPLACEMENT DATA							
ITEM No.	RATING CAP.	FISHER PART No.	AEROVOX PART No.	MALLORY PART No.	PYRAMID PART No.	SPRAGUE PART No.	NOTES
C1A	40	C50180-2	PWH4-58-65	FP376.9	TMT-39	TVL-3786	
B	40	350		TC85	TD-20-350	TVA-1608	
C	20	200					
C2A	40	350	CO870	FP327.89	TMT-181	TVLS-3561.4*	
B	40	250	BR4025				
C	40	250		FP444.6	TMQ-14	TVLS-4563.5*	
C3A	30	300					
B	10	200					
C	30	200					
D	10	200					
C4	6	50	NLW8-100		ML8-50	TE-1303.3	
C5	25	6	NLW25-6		ML30-6	TE-1091	
C6	25	6	C839-114		ML30-6	TE-1091	
C7	25	6	XPP-6025		ML30-6	TE-1091	
C8	25	6	XPP-6025		ML30-6	TE-1091	
C9	25	6	C839-114		ML30-6	TE-1091	
C10	25	6	XPP-6025		ML30-6	TE-1091	
C11	100	150	PR81015		TD-100-150	TVA-1420	

* Not normally in distributor's stock. Available thru distributor on order to manufacturer.

FIXED CAPACITORS

Capacity values given in the rating column are in mfd. for Paper Capacitors, and in mfmfd. for Mica and Ceramic Capacitors.

REPLACEMENT DATA							
ITEM No.	RATING	REMARKS	AEROVOX PART No.	CORNELL-DUBILIER PART No.	ELMENDO PART No.	MALLORY PART No.	SPRAGUE PART No.
C12	8	NFO .5mmf	NFO-SI 8.2	C10V8C			10TCC-V82
C13	100	N1500 1000V 10%					
C14	100	N1500 1000V 10%					
C15	100	N1500 1000V 10%					
C16	1000			MFT-1000		CT280A	5HK-S20
C17	20000			DD-203		GP120	
C18	1000			MFT-1000		CT280A	
C19	1000	1000V 10%		DD-102		GP210	10TS-D10
C20	1000			MFT-1000		CT280A	
C21	8	NFO .5mmf	NFO-SI 8.2	C10V8C			10TCC-V82
C22	68	N750	N750-SI 68	C10Q68U		CNT-468	10TCU-Q68
C23	1000	1000V 5%					
C24	1000	1000V 10%					
C25	5	NFO 5%					
C26	24	N150 1000V 5%		DD-102		GP210	10TS-D10
C27	47	N750 1000V 10%		TCZ-4RT		CNO-547	10TCC-V50
C28	5	N150 .5mmf	N750-SI 47	C10Q47U		CNT-447	10TCU-Q47
C29	5	N2200 .5mmf					10TCC-V50
C30	5	N2200 .5mmf					

FIXED CAPACITORS (cont)

REPLACEMENT DATA							
ITEM No.	RATING	REMARKS	AEROVOX PART No.	CORNELL-DUBILIER PART No.	ELMENDO PART No.	MALLORY PART No.	SPRAGUE PART No.
C31	100	N1500 1000V 10%					
C32	100	N1500 1000V 10%					
C33	5000	Note 1					
C34	1000						
C35	1000						
C36	1000						
C37	1000						
C38	1000						
C39	2700	1000V 10%					
C40	5000						
C41	5000	Note 1					
C42	5000						
C43	2700	1000V 10%					
C44	5000						
C45	2700	1000V 10%					
C46	5000						
C47	5000						
C48	10000	(1000mmf) *					
C49	330	1000V 10%					
C50	330	1000V 10%					
C51	5000						
C52	330	1000V 10%					
C53	1000	1000V 10%					
C54	.01	250V					
C55	24	N150 1000V 5%					
C56	8	NPO .5mmf					
C57	100	N1500 1000V 10%					
C58	18	N470 1000V 10%					
C59	20000						
C60	20000						
C61	5000						
C62	20000						
C63	.68						
C64	100	NPO .5mmf					
C65	100	N1500 1000V 10%					
C66	20000						
C67	2.2	10%					
C68	20000						
C69	100	N1500 1000V 10%					
C70	10	NFO 1000V 10%					
C71	20000						
C72	5000						
C73	5000						
C74	5000						
C75	20000						
C76	220	1000V 10%					
C77	10	NPO 1000V 10%					
C78	.047	250V					
C79	820	5%					
C80	.022	250V					
C81	560	1000V 10%					
C82	1800	1000V 10%					
C83	390	1000V 10%					
C84	10000						
C85	20000						
C86	10000						
C87	16	N75 1000V 10%					
C88	.01	250V					
C89	220	1000V 10%					
C90	3300	1000V 10%					
C91	82	N1500 1000V 10%					
C92	1000	1000V 10%					
C93	.01	250V					
C94	47	N750 1000V 10%					
C95	220	1000V 10%					
C96	100	N1500 1000V 10%					
C97	1000	1000V 10%					
C98	1000	1000V 10%					
C99	1000	1000V 10%					
C100	.002	200V					
C101	.01	250V					
C102	68	N2200 1000V 10%					

PARTS LIST AND DESCRIPTIONS (Continued)

FIXED CAPACITORS (cont)

ITEM No.	RATING	REMARKS	REPLACEMENT DATA					SPRAGUE PART No.
			AEROVOX PART No.	CENTRALAB PART No.	CORNELL-DUBIERRE PART No.	ELMIENCO PART No.	MALLORY PART No.	
C103	.022 250V		P488N-022	DD-203	CUB4S22	4DP-2-223	GEM-4122	4TM-S22
C104	.47 N750 1000V 10%		P688N-1	DF-104	CUB6P1	CCTN-470	CNT-447	10TCU-Q47
C105	.1 500V	#C50070-18	DI-470	DD-471	CUB6P1	6DP-4-104	GEM-601	6TM-P1
C106	.47 N750 1000V 10%		P688N-1	DF-104	CUB6P1	CCD-471	GP347	10TS-T47
C107	.1 500V		P688N-1	DF-104	CUB6P1	6DP-4-104	GEM-601	6TM-P1
C108	.1 500V		P688N-1	DF-104	CUB6P1	6DP-4-104	GEM-601	6TM-P1
C109	390 1000V 10%		DI-390	DD-391	L10T39	CCD-391	GP339	10TS-T39
C110	390 1000V 10%		DI-390	DD-391	L10T39	CCD-391	GP339	10TS-T39
C111	390 1000V 10%		DI-390	DD-391	L10T39	CCD-391	GP339	10TS-T39
C112	560 1000V 10%		DI-560	DD-561	CCD-561	CCD-561	GP356	10TS-T56
C113	1800 1000V 10%		DI-1800	DD-182	CCD-182	CCD-182	GP218	10TS-D18
C114	390 1000V 10%		DI-390	DD-391	L10T39	CCD-391	GP339	10TS-T39
C115	10000		BPD-01	DD-103	BYA10S1	CCD-103	GP110	5HK-S10
C116	20000		BPD-02	DD-203	BY56S2	CCD-203	GP120	5HK-S20
C117	10000		BPD-01	DD-103	BYA10S1	CCD-103	GP110	5HK-S10
C118	16 N75 1000V 10%	#C50070-21	P488N-01	D6-103	CUB4S1	4DP-1-103	GEM-411	4TM-S1
C119	.01 250V		DI-220	DD-221	L10T22	CCD-221	GP322	10TS-T22
C120	220 1000V 10%		DI-1000	DD-102	CUB4S1	CCD-102	GP210	10TS-D10
C121	3300 1000V 10%	#C50070-12	P488N-022	DD-203	CUB4S22	4DP-2-223	GEM-411	4TM-S1
C122	66 N2200 1000V 10%		DI-220	DD-221	L10T22	CCD-221	GP322	10TS-T22
C123	1000 1000V 10%		BPD-001	DD-102	BYA10D1	CCD-102	GP210	10TS-D10
C124	.01 250V		P288N-002	D6-202	CUB6D2	6DP-1-202	GEM-622	6TM-D2
C125	.022 250V		P488N-001	D6-103	CUB4S1	4DP-1-103	GEM-411	4TM-S1
C126	47 N750 1000V 10%		P488N-022	DD-203	CUB4S22	4DP-2-223	GEM-411	4TM-S1
C127	220 1000V 10%	#C50070-6	DI-220	DD-221	L10T22	CCD-221	GP322	10TS-T22
C128	100 N1500 1000V 10%	#C50070-6	P488N-022	DD-203	CUB4S22	4DP-2-223	GEM-411	4TM-S1
C129	100 N1500 1000V 10%	#C50070-6	P488N-022	DD-203	CUB4S22	4DP-2-223	GEM-411	4TM-S1
C130	1000 1000V		BPD-001	DD-102	BYA10D1	CCD-102	GP210	10TS-D10
C131	.01 250V		P288N-002	D6-202	CUB6D2	6DP-1-202	GEM-622	6TM-D2
C132	.022 250V		P488N-001	D6-103	CUB4S1	4DP-1-103	GEM-411	4TM-S1
C133	66 N2200 1000V 10%	#C50070-12	P488N-022	DD-203	CUB4S22	4DP-2-223	GEM-411	4TM-S1
C134	.022 250V		P488N-001	D6-103	CUB4S1	4DP-1-103	GEM-411	4TM-S1
C135	.47 N750 1000V 10%		P688N-1	DF-104	CUB6P1	6DP-4-104	GEM-601	6TM-P1
C136	.1 500V		DI-470	DD-471	CUB6P1	CCD-471	GP347	10TS-T47
C137	470 1000V 10%		P688N-1	DF-104	CUB6P1	6DP-4-104	GEM-601	6TM-P1
C138	15 N75 1000V 10%	#C50070-18	P688N-1	DF-104	CUB6P1	6DP-4-104	GEM-601	6TM-P1
C139	.1 500V		P688N-1	DF-104	CUB6P1	6DP-4-104	GEM-601	6TM-P1
C140	.1 500V		P688N-1	DF-104	CUB6P1	6DP-4-104	GEM-601	6TM-P1
C141	390 1000V 10%		DI-390	DD-391	L10T39	CCD-391	GP339	10TS-T39
C142	390 1000V 10%		DI-390	DD-391	L10T39	CCD-391	GP339	10TS-T39
C143	20000		BPD-02	DD-203	BY56S2	CCD-203	GP120	5HK-S20
C144	.01 600V		P688N-01	D6-103	CUB6S1	6DP-2-103	GEM-611	6TM-S1
C145	50000		BPD-005	DD-502	BYA10D5	CCD-502	GP250	5HK-D50
C146	100 N1500 1000V							
C147	100 N1500 1000V							

Note 1. Not used in some versions.
Fisher Part Number.
* Alternate Value.
* Not normally in distributor's stock. Available thru distributor on order to manufacturer.

CONTROLS

ITEM No.	RATING	REMARKS	REPLACEMENT DATA					INSTALLATION NOTES
			FISHER PART No.	CENTRALAB PART No.	CLAROSTAT PART No.	CTS-IRC PART No.	MALLORY PART No.	
R1A	500K		R50160-17	BT-66				Volume, Channel B
B	100K Tap		STR-66	STR-66				Volume, Channel A
C	Switch		R50160-18	KR-2	AD47-250K-S	Q1-130		Power Off-On
R2A	250K		STR-50	B-50	Not Req.	M11-130		Balance, Channel B
B	250K		STR-50	B-50	Not Req.	M11-130		Balance, Channel A
C	Shaft		Not Req.	FS-3	Not Req.	Not Req.		Treble, Channel A
R3A	100K Tap		R50160-19	QJ-1140R				Treble, Channel B
B	100K Tap		R50160-19	QJ-1140R				Treble, Channel A
R4A	100K Tap		R50160-19	QJ-1140R				Bass, Channel B
B	100K Tap		R50160-19	QJ-1140R				Bass, Channel A

CONTROLS (cont)

REPLACEMENT DATA

ITEM No.	RATING	REMARKS	REPLACEMENT DATA					INSTALLATION NOTES
			FISHER PART No.	CENTRALAB PART No.	CLAROSTAT PART No.	CTS-IRC PART No.	MALLORY PART No.	
R5	250K		R50160-3	JL-254				Input Level, Phono A
R6	250K		R50160-3	JL-254				Input Level, Phono B
R7	250K		R50160-3	JL-254				Input Level, MPXA
R8	250K		R50160-3	JL-254				Input Level, MPXB
R9	250K		R50160-3	JL-254				Input Level, AM
R10	500K	2(WW)	R516-128					Hum Adjust. Channel A
R11	500K	2(WW)	R516-128					Hum Adjust. Channel B

* "Concentrikrit" Equivalent: K-6 Kit with Base Elements & Shafts: B18-137X, P4-121 (Panel).
* (Not available as a factory assembled unit.)
* "STA-LOC" Equivalent: FA254L, RU254L, CS8560.

* Use when taps are not connected.

RESISTORS

All wattages 1/2 watt, or less, unless otherwise listed.

ITEM No.	RATING	REMARKS	REPLACEMENT DATA					INSTALLATION NOTES
			FISHER PART No.	CENTRALAB PART No.	CLAROSTAT PART No.	CTS-IRC PART No.	MALLORY PART No.	
R12	270K		R63	2.2meg				
R13	100K		R64	470K				
R14	330K		R65	3.3meg				
R15	330K		R66	10K				
R16	1meg		R67	100K				
R17	470K		R68	330K 1W				
R18	2200K		R69	2700K 1W				
R19	1000K 1W		R70	10K				
R20	1000K 1W		R71	10meg				
R21	220K		R72	220K				
R22	1000K		R73	120K				
R23	68K		R74	270K				
R24	150K		R75	2.2meg				
R25	3.3meg		R76	2.2meg				
R26	1000K		R77	3.3meg				
R27	47K 1W		R78	15meg				
R28	150K		R79	100K				
R29	33K		R80	200K				
R30	1000K		R81	220K				
R31	82K		R82	18K				
R32	270K		R83	39K				
R33	68K		R84	470K				
R34	1500K		R85	4.7meg				
R35	15K		R86	100K				
R36	1000K		R87	100K				
R37	10meg		R88	10meg				
R38	390K		R89	2.2meg				
R39	330K		R90	220K				
R40	470K		R91	2200K				
R41	1000K		R92	10meg				
R42	4.7K		R93	47K				
R43	2.2meg		R94	22K				
R44	2.2meg		R95	220K				
R45	1000K		R96	820K				
R46	47K		R97	1500K				
R47	100K		R98	100K				
R48	4.7K		R99	6800K				
R49	820K		R100	33K 1W				
R50	47K		R101	33K 1W				
R51	50K 1W		R102	680K				
R52	150K		R103	1000K				
R53	22K 1W		R104	600K				
R54	1000K		R105	10K				
R55	270K		R106	1000K				
R56	270K		R107	15K				
R57	1000K		R108	10K				
R58	47K		R109	100K				
R59	47K		R110	330K 1W				
R60	180K		R111	2700K 1W				
R61	100K		R112	10K				
R62	2.2meg		R113	10meg				

Fisher Part No.

FISHER MODEL TA-600

FOLDER 10

PARTS LIST AND DESCRIPTIONS (Continued)

COILS (RF-IF)

ITEM No.	USE	REPLACEMENT DATA						NOTES
		FISHER PART No.	Gramer PART No.	Meissner PART No.	Merit PART No.	Miller PART No.	Ram PART No.	
L1	FM Ant. Coil	L50066-8	19-1000	19-1000	BC-561	4802		3.3uh
L2	FM Ant. Trans.	L726-124						1uh
L3	RF Choke	L50066-2			BC-561	4802		.56uh
L4	RF Choke	L50066-19			BC-561	4802		.56uh
L5	RF Choke	L50066-19			BC-561	4802		①
L6	RF Choke	L629-180			BC-561	4802		
L7	FM RF Coil	L726-128			BC-561	4802		
L8	FM Osc. Coil	L726-125			BC-561	4802		
L9	RF Choke	L50066-2			BC-561	4802		1uh
L10	RF Choke	L50066-3			BC-561	4802		1.2uh
L11	Cathode Choke	L50066-19			BC-561	4802		
L12	RF Choke	L50066-2			BC-561	4802		
L13	1st FM IF	ZZ2662-117	19-1000	19-1000	BC-561	4802		
L14	2nd FM IF	ZZ2387	16-3490	16-3490	BC-561	1463-PC		
L15	3rd FM IF	L670-146	16-3487	16-3487	FM-254	1463		
L16	Ratio Detector	ZZ592-170			BC-419			
L17	AM Ant. Coil	L721-139						
L18	Loopstick	L721-136						
L19	AM RF Trans.	L556-125						
L20	AM Osc. Coil	L50210-21						
L21	1st AM IF	ZZ50210-1	18-6758	18-6758	BC-353	12-C2		
L22	2nd AM IF	ZZ2984	19-1000	19-1000	BC-561	4802		
L23	10K Filter	L644-120						
L24	Filter Choke	L50066-3						

① 5 Turns of wire on 1000 resistor.

TRANSFORMER (POWER)

ITEM No.	RATING		REPLACEMENT DATA						NOTES	
	PRI.	SEC.	FISHER PART No.	Helliderson PART No.	Merit PART No.	Ram PART No.	Stancor PART No.	Thorderson PART No.		Triod PART No.
T1	117V ④ 1.4A	720VCT ④.180A ④.060A	T720-115							
	SEC. 3 5V ③3A	SEC. 4 6.3V ③ 3A								
	SEC. 6 6.3V ④ 2.8A	SEC. 5 6.3V ④ 2.8A								

TRANSFORMER (AUDIO OUTPUT)

ITEM No.	IMPEDANCE	RATING		REPLACEMENT DATA						NOTES	
		PRI.	SEC.	FISHER PART No.	Helliderson PART No.	Merit PART No.	Ram PART No.	Stancor PART No.	Thorderson PART No.		Triod PART No.
T2	7000Ω 160 tap CT ③ 80, 40	T720-116									
T3	7000Ω 160 tap CT ③ 80, 40	T720-116									

① Drill new mounting hole. Use 7000Ω primary.

FUSES

ITEM No.	TYPE	RATING	REPLACEMENT DATA					
			FISHER PART No.	HOLDER	FUSE	HOLDER	FUSE	HOLDER
M1	3AG	3 2/10A 125V	F3319	XI036	31303-2 (3AG 3 2/10A 125V)	342001	MDX 3 2/10	HXP

CRYSTAL DIODES

ITEM No.	ORIG. TYPE	REPLACEMENT DATA			NOTES
		FISHER PART No.	CBS PART No.	RAYTHEON PART No.	
M2	1N541	1N295	1N295	1N295	Ratio Detector (CLIP-IN)
M3	1N541	1N295	1N295	1N295	Ratio Detector (CLIP-IN)

MISCELLANEOUS

ITEM No.	PART NAME	FISHER PART No.	NOTES
M4	Tuning Cap.	C684-127	
M5	Tuning Cap.	C726-116	AM, 3 Gang (Ant. 10-505mmf, RF 10-503mmf, Osc. 7-138mmf)
M6	Switch	S720-154	FM, 2 Gang
M7	Switch	S720-151	Selector (Rotary Wafer Type)
M8	Switch	S50200-2	Monaural-Stereo (Rotary Wafer Type)
M9	Switch	S50200-2	AM Sharp-AM Broad (DPDT, Slide Type)
M10	Switch	S50200-2	Lo Filter-OH (DPDT, Slide Type)
M11	Switch	S50200-2	Hi Filter-OH (DPDT, Slide Type)
M12	Switch	S50200-2	Loudness Contour Off (DPDT, Slide Type)
M13	Switch	S50200-2	Tape-Monitor-Playback (DPDT, Slide Type)
			Phase Normal-Reverse (DPDT, Slide Type)

CABINETS & CABINET PARTS

(When Ordering Cabinets & Cabinet Parts, Specify Model, Chassis & Color)

NAME	PART NO.	DESCRIPTION
Knob	F50133-1	Tuning
Knob	F50154-1	Volume, Balance
Knob	F50153-1	Bass, Treble (Rear)
Knob	F50152	Bass, Treble, (Front)
Knob	F50133-2	Selector, Mono-Stereo
AM Dial Pointer	A720-159	
FM Dial Pointer	A720-158	
Dial Glass	N750-113	

WIRING DATA

General-use Unshielded Hook-up Wire Use BELDEN No. 8530 (Solid) Available in Ten Colors
8524 (Stranded) Available in Ten Colors
Power Cord Use BELDEN No. 1765-B (6 Ft. Length)
1725-K (7½ Ft. Length)